

EPIC-128C0S

128-Slot SATA/SAS SSD Tester

- **Hardware designed and manufactured by Daichu Technologies**
 - 128 SATA/SAS slots
 - Temperature range: -5 degC to +90 degC
 - Full Bandwidth Testing
- **Software provided by OakGate Technology**
 - Proven test software, used by most major SSD suppliers worldwide



Key Features

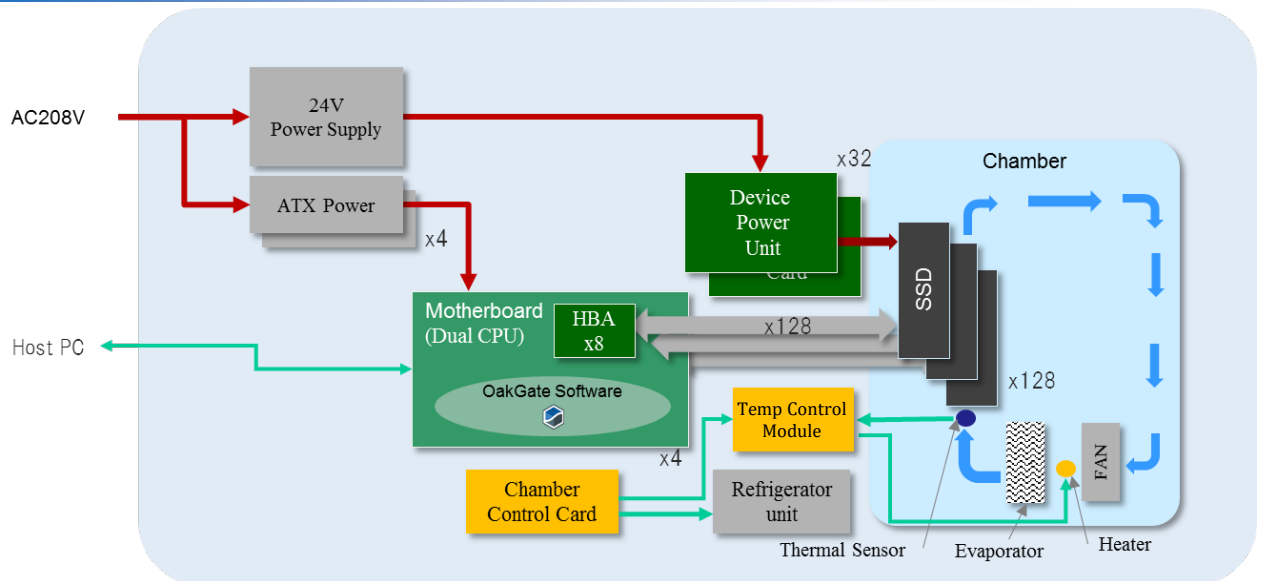
- Thermal chamber with industry leading -5 degC to +90 degC temperature range
- Supports up to 128 SFF type SSDs
- Comprehensive Functionality
 - Long-run testing
 - Aging test
 - Low and high temperature testing
 - Marginal voltage testing
- High-performance R/W access on thermal and marginal voltage test
- Discharge circuit can shorten voltage turn-off time and stabilize power cycle test
- Test engine mounted outside, not affected by chamber temperature
- High-speed transmission route from PC to the device, provides a stable, high-speed serial communication
- Adjustable airflow ranging from 700 to 1500 LFM to each SSD
 - Various air speeds can be adjusted to accommodate end-user's requirements
- Preinstalled OakGate software with a user friendly GUI that allows the user to
 - Generate traffic and inject errors
 - Measure performance (IOPS, Bandwidth, Latency)
 - Control power and temperature
 - Execute customized test sequences, record logs
 - Test devices at full-performance
 - Exercise built-in protocol conformance test suite and analyzer

Specifications

Category	Item	Contents
Supported SSD Specs	Form Factor	SATA 2.5inch / SAS SFF type
	IF spec	SATA 3.0 / SAS 12G
	Number of slots	128 slots
	Device supply power	50W / Total 6,400W
Chamber Specs	Set Temperature	-5 to +90 degC (30w/slot) 0 to+90 degC (50w/slot)
	Airflow (Blow speed)	Approx. 700 ~ 1500 LFM (Adjustable)
	Door Lock	Locked less than 20 degC / more than 45 degC
SSD Power Supply	3.3V / 5.0V	2.0A (Typ.) 3.0A (Peak)
	12V	2.0A (Typ.) 3.0A (Peak)
	Voltage Margin	± 15%
	Voltage Slope	0 to 100msec : Variable in each (3.3V / 5V , 12V)
	Discharge Time	Free or less than 200msec (SSD Capacity < 500uF)
Test Engine	Software	Supported by OakGate (SVF)
	Motherboard	Dual CPU ATX (XEON E5)
	Number of test engine	4pcs
	PCIe Slots	LSI SAS 9300-8i SGL 8pcs installed
Other functions	LED Indicator	Power status (Power, SSD insertion) Test status (Idle, Run, Pass, Fail)
	Host PC IF	Ethernet (RJ45)
Input Requirements	AC voltage(Hz) / Current	AC 208V (50/60Hz) / Max 100A
	Dry Air	6 m3/hrs. [0.5 to 1.0 MPa]
Mechanical	Dimensions	Approx. 1,500mm (W) x 1,480mm (D) x 2,050mm (H)
	Weight	Approx. 1,300kg

※Environmental Temperature : 22 to 28 degC

Block Diagram



The information provided in this document is subject to change without prior notice.

 **Daichu Technologies Co.,Ltd.**

704-4 Miroku, Hanyu,
Saitama 348-8555, Japan
Tel +81-48-565-2822
Fax +81-48-565-2833
URL: <http://www.daichutec.co.jp/>

 **OakGate**
TECHNOLOGY

3256 Penryn Road, Suite 220
Loomis, CA 95659, USA
Tel +1 916.652.5132
URL: <http://www.oakgatetech.com>